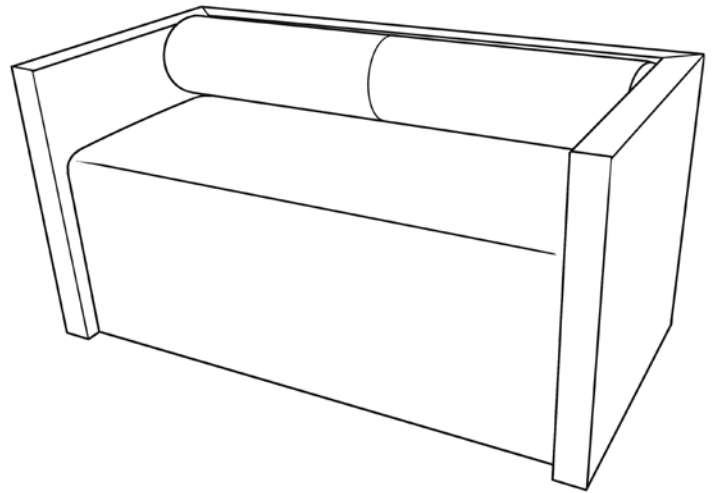


Fernley Bench

Fernley Bench Dimensions:

Overall Height:	26"	(66 cm)
Overall Depth:	24"	(61 cm)
Overall Width:	48"	(122 cm)
Seat Height:	18"	(46 cm)
Seat Depth:	18½"	(47 cm)
Seat Width:	43"	(109 cm)
Arm Height:	26"	(66 cm)
Bench Weight:	175 lbs.	(80 kg)
Weight Capacity:	500 lbs.	(227 kg)
COM Details*:	7½ yds.	



Frames:

¾" plywood from managed sources. All joints are interlocking and/or glued, screwed and stapled for added strength and rigidity. 2½" thick maple veneer side and back panels with ⅛" thick maple edge-banding.

Seat Suspension:

Fully upholstered with a foam covering over a high-tensile-strength steel zig-zag sprung platform.

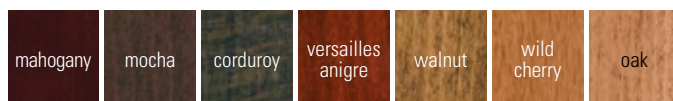
Seat & Backrest Cushion/Pillows:

Dacron-wrapped 50 ILD/2.5 density HR poly foam.

Finishing Process:

Sherwin Williams stain, sealer and topcoat. Topcoat consists of a high-solids, pre-catalyzed nitrocellulose lacquer that provides good chemical resistance with the ability to repair small damaged areas in the field.

Finish Options:



Certifications:

CA117-2013 and CARB II certified. Chair passes BIFMA 5.5X Seating Standards. CA133 is available for an upcharge.

Floor Glides:

Nail-in nylon floor glides.

Pillows:

Pillows are included. Two options available: bolster (as shown) and rectangular.

Customization:

Dual fabrics and contrasting welting are available for an upcharge.

Warranty Information:

10-year limited warranty on the chair frame, seat foam and backrest foam. Fabric manufacturer's warranty on fabric.

Packaging:

Bench ships upright in a box, wrapped in plastic. Legs are shipped attached.

* Fabric requirement for one chair includes the seat and backrest.
* The estimated fabric requirement is based on 54"W material. The actual amount required may vary depending on pattern, pattern matching, material width or use of multiple fabrics.
* The fabric on the backrest is visible from the rear view of the chair.