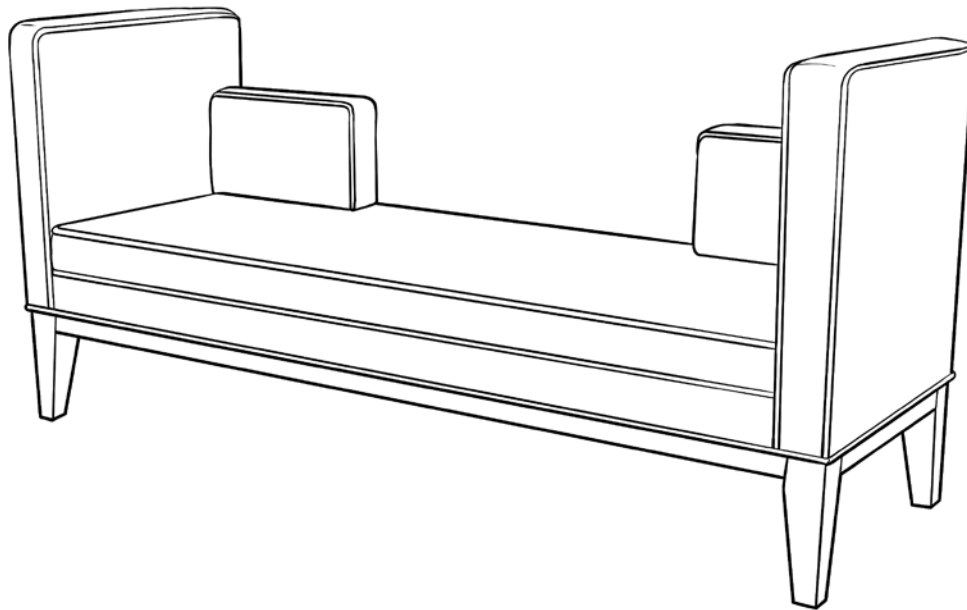


Maxwell Thomas®

By Direct Supply



Horicon Bench

Horicon Bench Dimensions:

Overall Height:	34"	(86 cm)
Overall Depth:	24½"	(62 cm)
Overall Width:	72"	(183 cm)
Seat Height:	17"	(43 cm)
Seat Depth:	21½"	(55 cm)
Seat Width:	64"	(163 cm)
Arm Height:	34"	(86 cm)
Chair Weight:	130 lbs.	(59 kg)
Weight Capacity:	300 lbs.	(136 kg)
COM Details*:	9 yds.	

Frames:

Plywood from managed sources. All joints are mechanically joined and/or glued, screwed and stapled for added strength and rigidity.

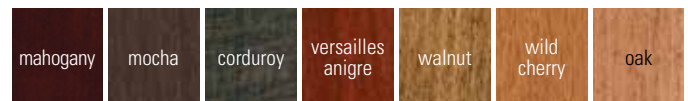
Seat & Back Suspension:

Fully upholstered with a foam covering over a solid deck.

Seat & Backrest Cushion:

40 ILD/1.8 density high-resiliency foam wrapped in foam batting.

Finish Options:



Certifications:

CA117-2013 & TSCA Title VI certified. Chair passes BIFMA 5.5X Seating Standards. CA133 is not available.

Floor Glides:

Nail-in nylon floor glides.

Pillows:

Pillows are not included.

Customization:

Dual fabrics and contrasting welting are available for an upcharge.

Warranty Information:

10-year limited warranty on the frame. 3-year limited warranty on seat foam and backrest foam. Fabric manufacturer's warranty on fabric.

Packaging:

Bench ships on end in a box, wrapped in plastic. Legs are shipped attached.

* Fabric requirement for one chair includes the seat and backrest.
 * The estimated fabric requirement is based on 54"W material. The actual amount required may vary depending on pattern, pattern matching, material width or use of multiple fabrics.
 * The fabric on the backrest is visible from the rear view of the chair.

Handcrafted in the USA

1-800-889-3957 maxwellthomas.com