



#L9946 shown in distressed grey

# Nellis Overbed Light

Features a rustic look with appealing cross details.

**Features:**

The Nellis Overbed Light features a rustic style with appealing cross details. The fixture is suited for horizontally mounting on indoor walls in larger spaces. Conveniently integrated pull chain switch operates the nightlight, uplight and downlight to fit resident and staff preferences.

**Construction:**

The housing is die-formed from 22-gauge steel and includes standard mounting holes and wiring access.

**Finish:**

Distressed grey finish.

**Diffuser:**

The diffuser is made of 0.10" thick standard white acrylic.

**Electrical:**

Input: 120VAC / 60 Hz, 0.7A Max  
Not compatible with dimmers.

**Certification:**

cETLus listed for damp locations and ADA compliant.

**LED:**

Integrated LED modules are capable of producing a total of 4050 source lumen for 38" or 5400 source lumen for 50" in 3000K CCT. Rated for 50,000 hours and 90 CRI.

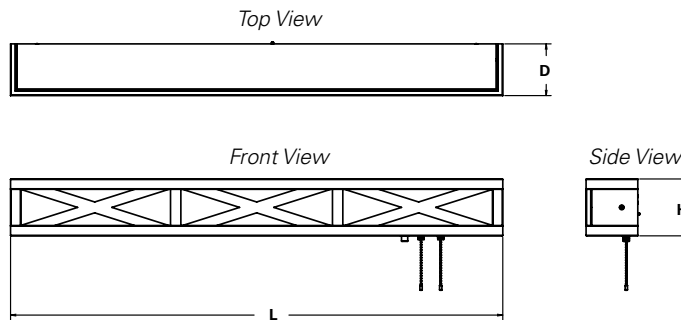
**Options:**

4-Way Pull Switch or Wall Switch (refer to ordering information).

**Warranty:**

Limited warranty: This fixture is free from defects in materials and workmanship for a period of five years from date of purchase.

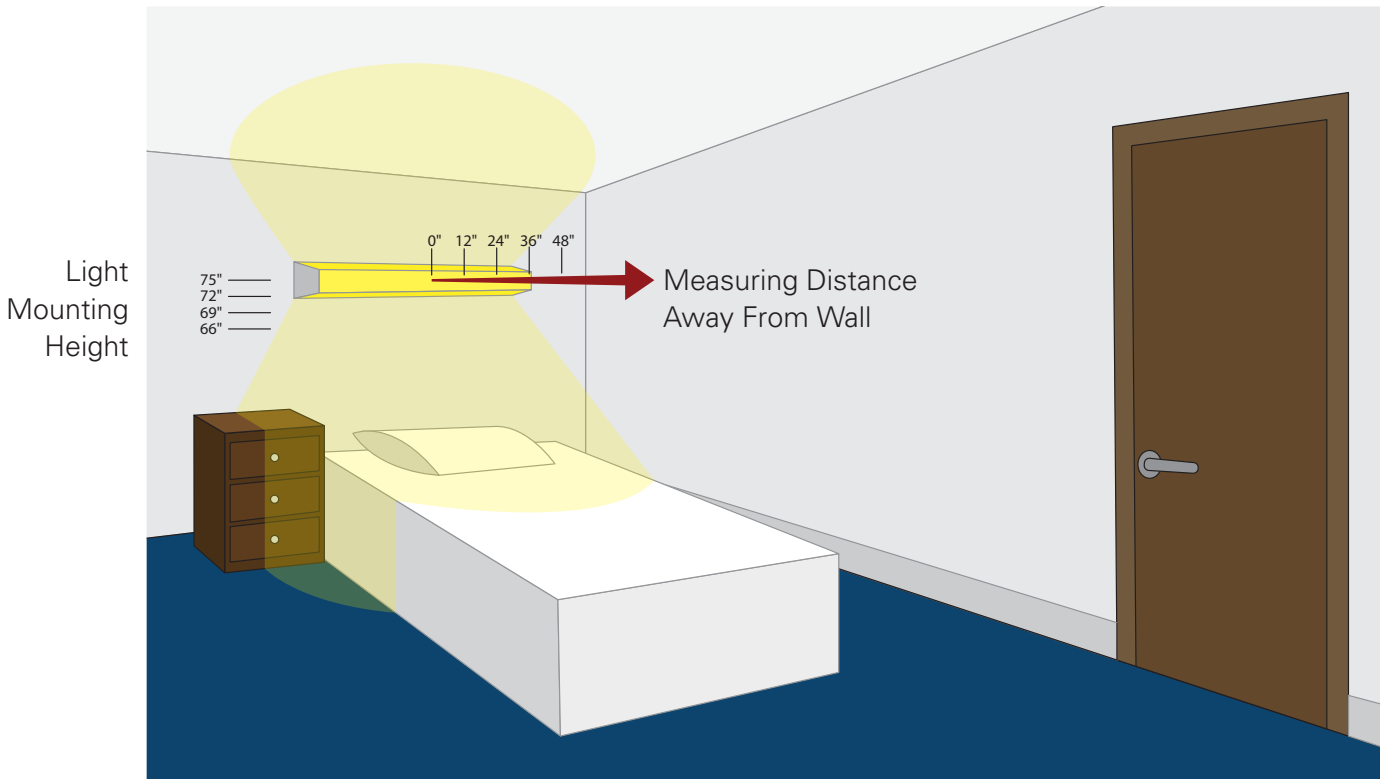
Specifications and dimensions subject to change without notice.



Distressed Grey	LED	Source Lumen	CCT	Features	Dimensions
#L9944	60W	1350 up/2700 down	3000K	4-Way Pull Switch	37½"L x 4"D x 4⅝"H
#L9945				Wall Switch	
#L9946	80W	1800 up/3600 down		4-Way Pull Switch	49½"L x 4"D x 4⅝"H
#L9947				Wall Switch	



# Nellis Overbed Light



Foot-candles are measured at 66", 69", 72" and 75" heights and 0", 12", 24", 36" and 48" away from the wall. Three measurements at each height and distance are taken for the uplight, downlight and up/downlight combination.

## 36" Nellis LED Overbed Light (UPLIGHT ONLY)

		Measuring Distance from Wall				
		0"	12"	24"	36"	48"
Mounting Height	75"	0.45	1.03	1.37	1.47	1.45
	72"	0.48	1.4	1.88	1.88	1.75
	69"	0.54	1.53	2.07	2.05	1.79
	66"	0.55	1.24	2.04	2.01	1.70

## 48" Nellis LED Overbed Light (UPLIGHT ONLY)

		Measuring Distance from Wall				
		0"	12"	24"	36"	48"
Mounting Height	75"	0.48	1.38	1.88	1.91	1.87
	72"	0.54	1.79	2.39	2.39	2.19
	69"	0.60	1.76	2.53	2.57	2.21
	66"	0.68	1.55	2.59	2.62	2.18

## 36" Nellis LED Overbed Light (DOWNLIGHT ONLY)

		Measuring Distance from Wall				
		0"	12"	24"	36"	48"
Mounting Height	75"	21.8	33.2	31.9	25.9	29.9
	72"	24.2	38.2	35.2	27.4	31.8
	69"	30.6	46.1	40.9	29.9	21.3
	66"	37.8	54.7	46.3	32.6	22.8

## 48" Nellis LED Overbed Light (DOWNLIGHT ONLY)

		Measuring Distance from Wall				
		0"	12"	24"	36"	48"
Mounting Height	75"	23.00	35.60	36.30	30.30	23.70
	72"	28.20	43.00	42.10	33.60	25.50
	69"	33.00	50.20	46.60	35.90	26.30
	66"	38.20	58.40	51.60	38.10	27.10

## 36" Nellis LED Overbed Light (UPLIGHT & DOWNLIGHT)

		Measuring Distance from Wall				
		0"	12"	24"	36"	48"
Mounting Height	75"	21.60	33.50	33.00	27.10	20.90
	72"	24.20	40.00	37.90	29.70	22.00
	69"	30.80	47.30	42.60	31.80	23.00
	66"	38.20	55.20	47.10	34.00	23.80

## 48" Nellis LED Overbed Light (UPLIGHT & DOWNLIGHT)

		Measuring Distance from Wall				
		0"	12"	24"	36"	48"
Mounting Height	75"	23.50	37.00	38.00	32.40	25.60
	72"	27.50	43.50	43.50	35.60	27.30
	69"	32.60	50.00	48.00	37.60	28.10
	66"	38.80	59.20	53.30	40.10	29.00

Maxwell Thomas®

1-800-634-7328 / maxwellthomas.com

**DIRECT SUPPLY**