



Shown with versailles anigre finish.

Maxwell Thomas® Montreal Collection

The veneer and hardwood of this collection are attractively offset by decorative recessed side panels, clean lines and quality construction made with Senior Living in mind. High-pressure laminate tops and wood edges make cleaning and touching up a quick task. Positive-stop drawer glides help keep drawers secure for resident safety. Wardrobe features an adjustable shelf for optimal customization. Available in standard finishes or two-tone finish, featuring walnut with scandinavian maple doors and drawers. On-trend contrasting finishes not only look great, but also help aging eyes identify doors and drawers.

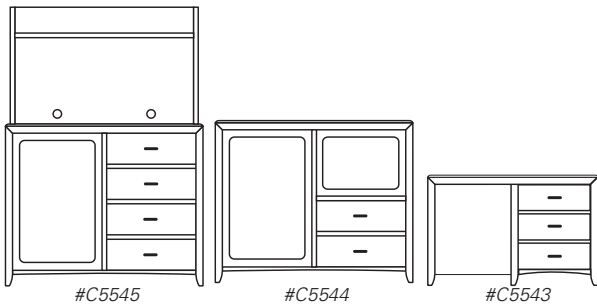
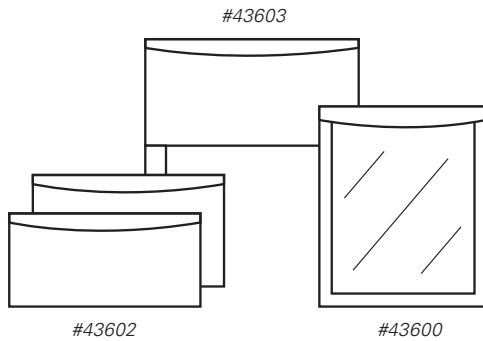


All shown with walnut finish.



Shown with walnut (body) and scandinavian maple (drawer and door fronts) finish. Available only as shown.

Maxwell Thomas® Montreal Collection



Features:

- Sealed surfaces for moisture resistance
- Durable dowel, screw, glue and cam construction
- ¾-pull drawer stops for added safety
- Metal ball-bearing drawer slides
- Vented back panels promote airflow
- Adjustable nylon floor glides on all cabinets
- Drawer boxes feature high-strength square dovetail construction
- Sealed drawer boxes help contain moisture
- Beech veneer and hardwood construction
- Adjustable-height hanging rod in wardrobes
- Adjustable shelves in units with doors
- Durable, moisture-resistant, high-pressure laminate on bedside cabinets and chest tops
- Reversible door swing on cabinets with one door
- Drawer faces can be removed for repair or replacement
- 7-year limited warranty

Hardware:

- Fixed arched pulls
- Magnetic door stops
- Hidden inset door hinges



General Casegoods Information:

- BIFMA X5.5 - 2011 compliant
- CARB Phase II compliant
- Bedside cabinets are available with locks on the top drawers
 - Must be specified at time of order
 - Keyed units have two keys per lock
 - Master keys available when specified at time of order
- Headboard and footboard drilling options available
- Customized sizes are available but may require a minimum quantity and additional production time

The Quick-Ship Advantage:

Select pieces marked with an (*) asterisk are guaranteed in stock. Order up to 20 Montreal quick-ship pieces of each product # in versailles anigre and walnut finishes, and your order will ship within 10 business days.

Description	Dimensions	Item #	2-tone #
1-Door, 1-Drawer Bedside Cabinet	23¾"W x 18"D x 29"H	#43595	#C4283
3-Drawer Bedside Cabinet	23¾"W x 18"D x 29"H	*#43596	#C4284
4-Drawer Chest	31¼"W x 19½"D x 38¼"H	*#43597	#C4285
1-Door, 2-Drawer Wardrobe	26½"W x 23¾"D x 72½"H	*#43598	#C4286
2-Door, 2-Drawer Wardrobe	32¾"W x 23¾"D x 72½"H	#43599	#C4287
Mirror	30"W x 36"H	#43600	
Senior Living Headboard	42"W x 22"H	#43603	
End Panels, Set of 2	Head: 36"W x 22"H Foot: 36"W x 18"H	*#43602	
NEW! 2-Drawer Hospitality Station	48"W x 42"H x 22"D	#C5544	
NEW! 4-Drawer Hospitality Station with Hutch	48"W x 62"H x 22"D	#C5545	
NEW! Writing Desk	48"W x 29"H x 18"D	#C5543	

*Denotes Quick-Ship item; available only in versailles anigre and walnut finishes.

Finishes



Two-tone Finish



Maxwell Thomas®

1-800-634-7328 / maxwellthomas.com

DIRECT SUPPLY